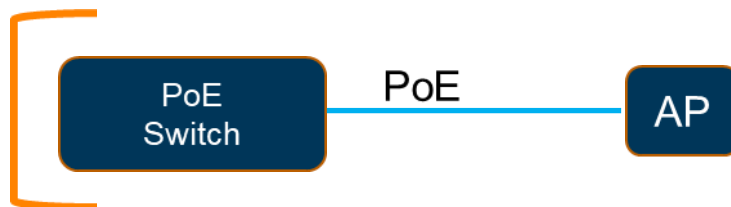




# Power Options for Aruba Instant On APs

## Power over Ethernet Switch

- Best practice for adding APs to a network.
- Simple. No local outlet required.
- Single cable provides power and data.
- Best choice for green field / new installations and installation upgrades.



**These AP SKUs do not come with a power adapter.  
Best option if you are using a PoE switch.**

R2W96A—AP11 Unit Only (RW)

R2X01A—AP12 Unit Only (RW)

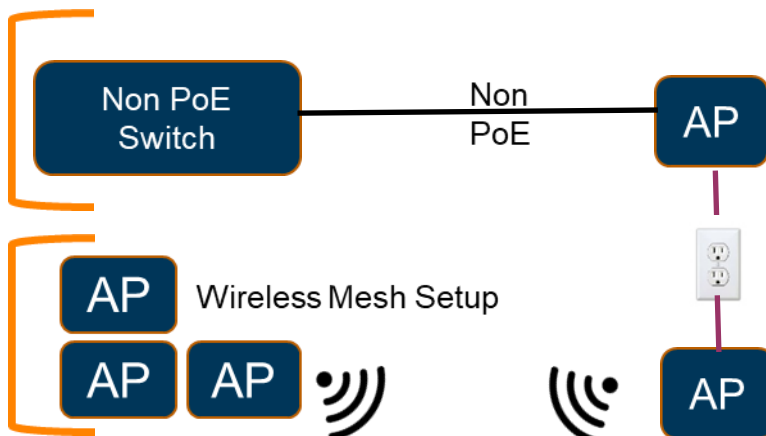
R2X11A—AP17 Unit Only (RW)

R2X16A—AP11D Unit Only (RW)

R2X06A—AP15 Unit Only (RW)

## Power Adapter

- Use a plug-in power adapter if a power outlet is local to the AP.
- When using mesh to extend the network, there is no Ethernet cable so using an adapter is the only choice.



**Here's how to order with an adapter a la carte:**

R2W96A AP11 RW Unit + R2X20A or R3X85A adapter + JW124A US cord

R2X16A AP11D RW Unit + R2X21A or R3X86A adapter + JW124A US cord

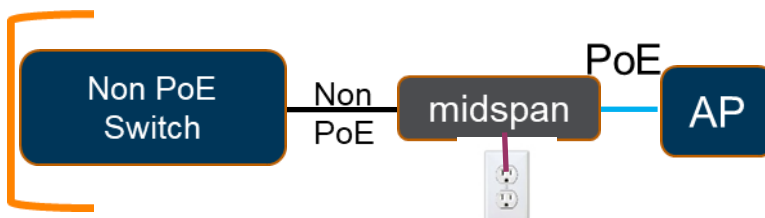
R2X01A AP12 RW Unit + R2X20A or R3X85A adapter + JW124A US cord

R2X06A AP15 RW Unit + R2X20A or R3X85A adapter + JW124A US cord

Note: R2X11A AP17 must use PoE. There is no adapter sold for it.

## Power over Ethernet Midspan Injector

- Adds power to Ethernet cabling.
- Typically injector located near a non-PoE switch
- Best solution for powering APs into existing non-PoE switch network



**Here's how to order with an Injector a la carte:**

R2W96A AP11 RW Unit + R2X22A Injector + JW124A cord (US)

R2X06A AP15 RW Unit + R2X22A Injector + JW124A cord (US)

R2X01A AP12 RW Unit + R2X22A Injector + JW124A cord (US)

R2X11A AP17 RW Unit + R2X22A Injector + JW124A cord (US)

Note: R2X16A AP11D RW —this injector is not recommended. Use PoE switch or adapter.