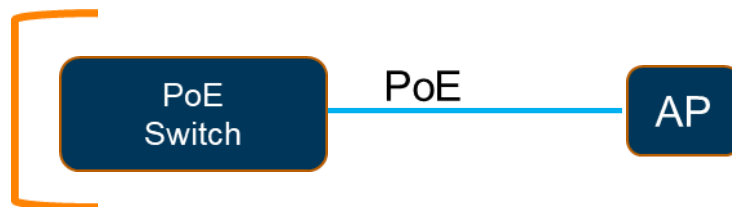




Power Options for Aruba Instant On APs

Power over Ethernet Switch

- Best practice for adding APs to a network.
- Simple. No local outlet required.
- Single cable provides power and data.
- Best choice for green field / new installations and installation upgrades.



**These AP SKUs do not come with a power adapter.
Best option if you are using a PoE switch.**

R2W95A—AP11 Unit Only (US)

R2X00A—AP12 Unit Only (US)

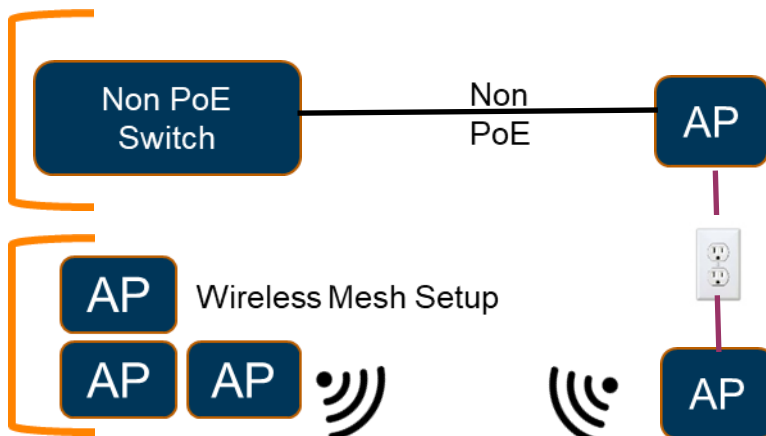
R2X10A—AP17 Unit Only (US)

R2X15A—AP11D Unit Only (US)

R2X05A—AP15 Unit Only (US)

Power Adapter

- Use a plug-in power adapter if a power outlet is local to the AP.
- When using mesh to extend the network, there is no Ethernet cable so using an adapter is the only choice.



Here are bundle SKUs if you need a power adapter:

R3J21A—AP11 US Unit with adapter + US cord

R3J25A—AP11D US Unit with adapter + US cord

R2J23A—AP12 US Unit with adapter + US cord

Here's how to order with an adapter a la carte:

R2W95A AP11 US Unit + R2X20A or R3X85A adapter + JW124A US cord

R2X15A AP11D US Unit + R2X21A or R3X86A adapter + JW124A US cord

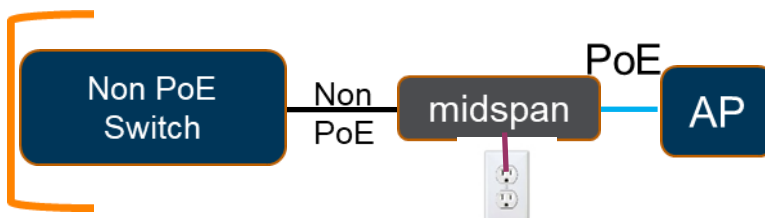
R2X00A AP12 US Unit + R2X20A or R3X85A adapter + JW124A US cord

R2X05A AP15 US Unit + R2X20A or R3X85A adapter + JW124A US cord

Note: R2X10A AP17 must use PoE. There is no adapter sold for it.

Power over Ethernet Midspan Injector

- Adds power to Ethernet cabling.
- Typically injector located near a non-PoE switch
- Best solution for powering APs into existing non-PoE switch network



Here's how to order with an Injector a la carte:

R2W95A AP11 Unit + R2X22A Injector + JW124A cord (US)

R2X05A AP15 Unit + R2X22A Injector + JW124A cord (US)

R2X00A AP12 Unit + R2X22A Injector + JW124A cord (US)

R2X10A AP17 Unit + R2X22A Injector + JW124A cord (US)

Note: R2X15A AP11D—this injector is not recommended. Use PoE switch or adapter.